

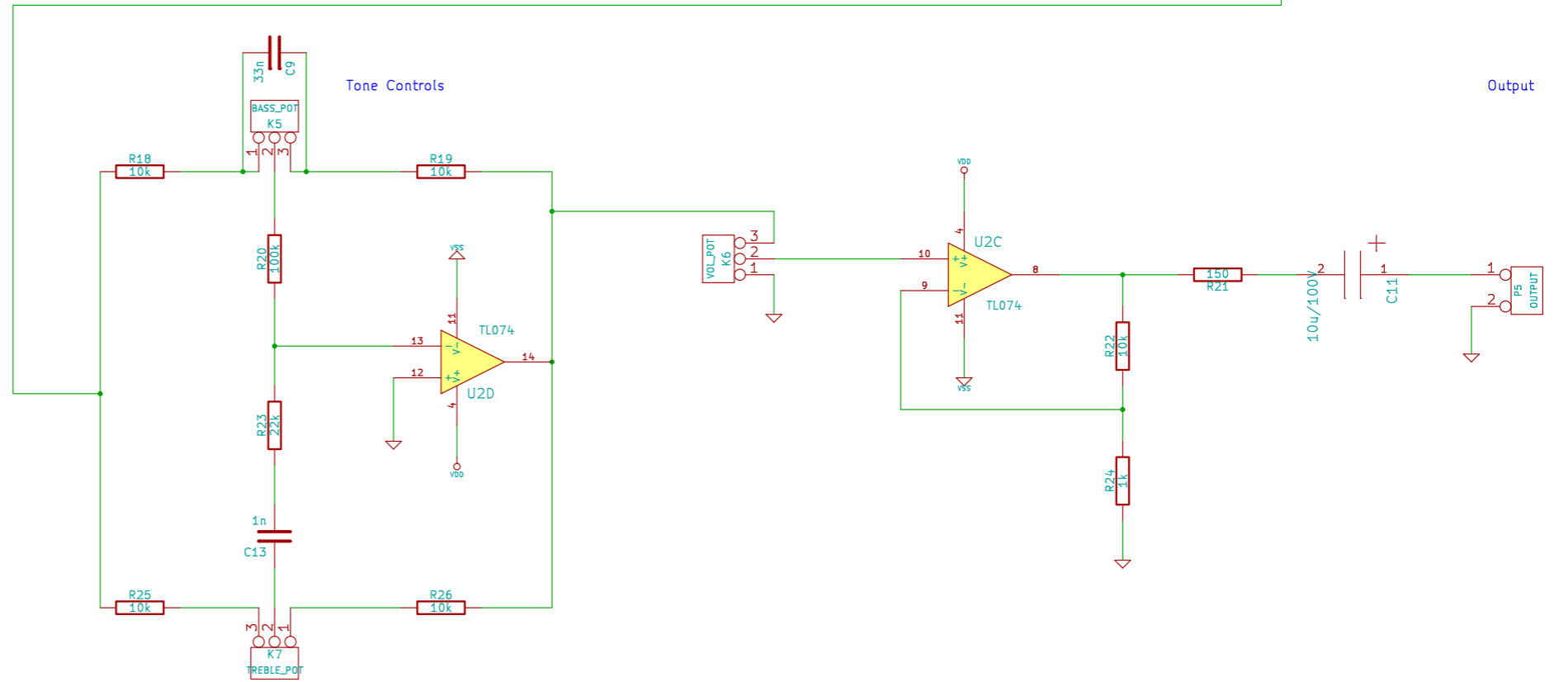
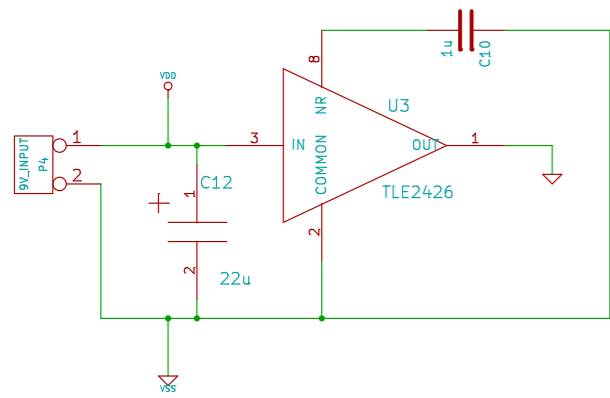
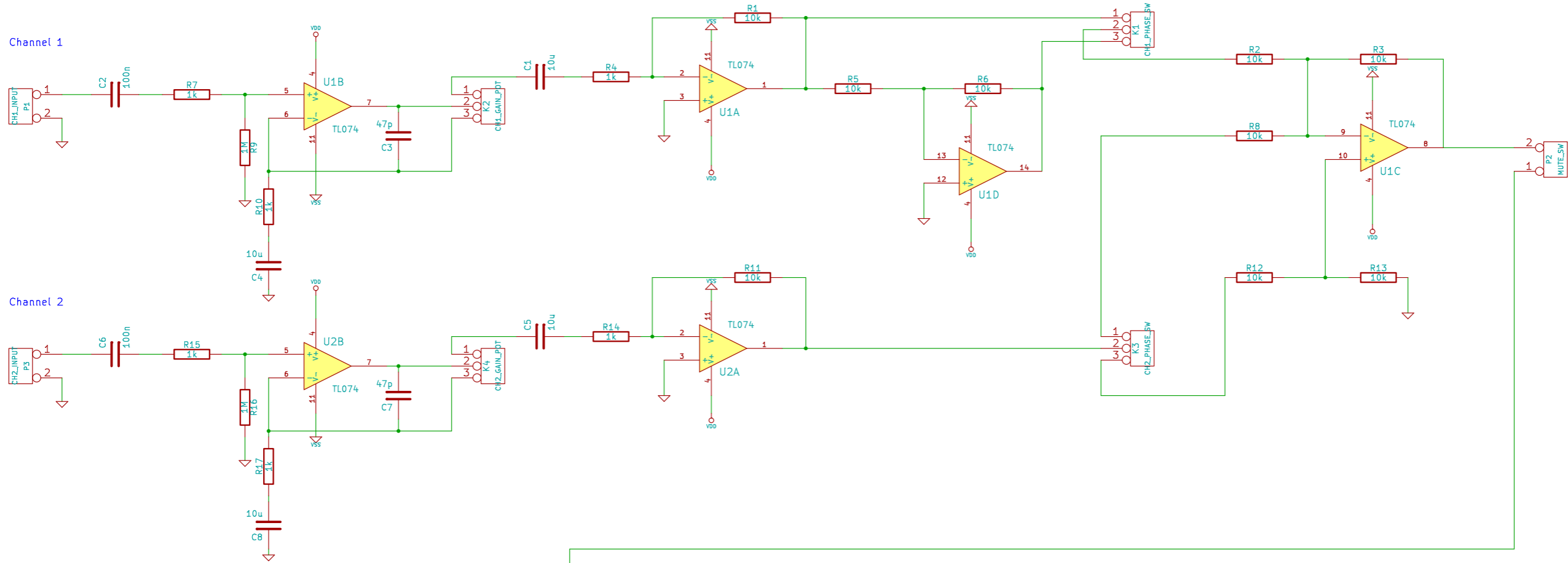
Channel 1

Channel 2

Power Supply

Tone Controls

Output



Mikael Ivarsson		
Swesonic		
File: bass_preamp.sch		
Sheet: /		
Title: Bass Preamp		
Size: A3	Date: 16 mar 2014	Rev: __
KiCad E.D.A. eschema (2012-apr-16-27)-stable		Id: 1/1